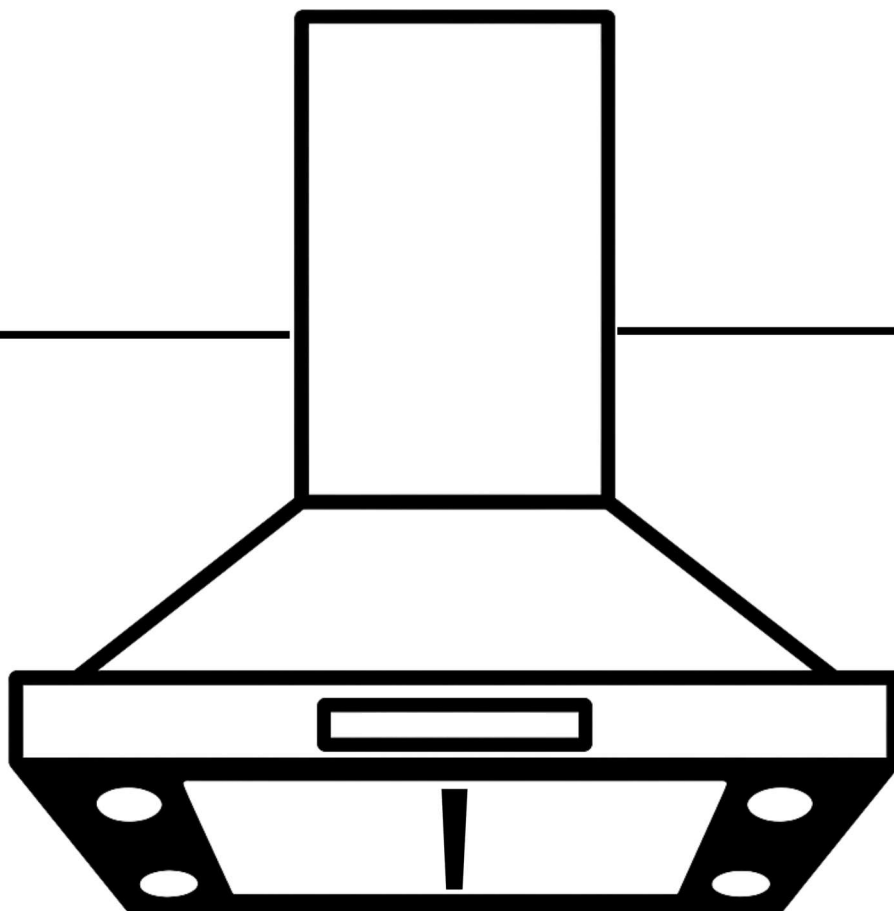

SPECIAL PRO SERIES (SP05) I-36", I-42"



INSTALLATION & USER MANUAL

FOR SP05 ISLAND MOUNTED HOODS

XtremeAIRusa.com

Need Assistance?

At XtremeAIR USA, we're committed to ensuring your satisfaction and providing you with exceptional support. If you have any questions or need assistance during installation or use, please don't hesitate to contact our customer support team.



XtremeAIRusa.com

WARRANTIES & SUPPORT
Support@XtremeAIRusa.com

SALES & DEALERS
Sales@XtremeAIRusa.com

(714) 554 9000



TABLE OF CONTENTS

SUPPORT, TABLE OF CONTENTS, SAFETY INSTRUCTIONS	2
MOUNTING HEIGHT AND VENTING METHODS	3
PARTS & DIMENSION GUIDE	4
PREPARATION & INSTALLATION	5
INSTALLATION	6
FILTER INSTALLATION, TECH SPECS & PANEL CONTROL GUIDE	7
LIGHT BULB REPLACEMENT & TROUBLESHOOTING	8
CARE & CARE & MAINTENANCE	9
LIMITED WARRANTY INFORMATION	10

The safety instructions and warnings provided in this manual do not cover every possible situation that may arise during the installation, operation, or maintenance of this appliance. Please exercise extreme caution at all times. If you have any questions or encounter any issues you do not fully understand, contact the XtremeAIR USA Customer Support Team at 714.554.9000 or email us at Support@XtremeAIRusa.com. **The manufacturer is not responsible for any damage or injury resulting from failure to follow the installation instructions provided in this manual.**



WARNING & DISCLAIMER: To avoid the possibility of an explosion or fire, do not store or use combustible, flammable or explosive vapors and liquids (such as gasoline) inside or in the vicinity of this or any other appliance. Keep all combustible items (such as aerosol cans) away from cook top burners, ovens and range hoods. Do not store flammable or explosive materials in adjacent cabinets or surrounding areas. **The manufacturer and/or distributor/seller decline all responsibility in the event of failure to observe the instructions provided for installation, maintenance, and suitable use of the product. Manufacturer shall NOT be responsible for any injury due to negligence and the warranty of the unit shall automatically be voided due to failure to observe proper safety and installation procedures. Manufacturer will not be held responsible for any damages to personal property, real estate, or any bodily injuries whether caused directly or indirectly by the range hood.** *Use this unit only in the manner intended by the manufacturer. If you have questions, contact XtremeAIR. Do not remove permanently affixed labels, warnings or plates from the product. This may void the warranty. Do not modify the hood. "Failure to follow installation instructions may void your warranty"

INSTALLATION must be done by qualified professionals, in compliance with all applicable codes and fire safety standards. Avoid damaging electrical wiring or utilities when cutting or drilling. Use two or more people for installation. Edges may be sharp—wear protective gloves when handling parts. Read all instructions before beginning.

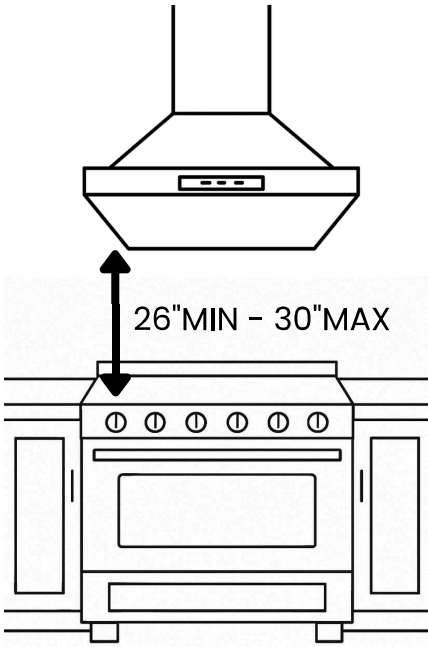
VENTING with kitchen ranges or cooktops only. Do not use to vent hazardous or explosive materials. Ducted fans must be vented outdoors—never into walls, crawl spaces, ceilings, attics, or garages. Use metal ductwork only. Clean or replace old ducts to prevent grease fires. Tape joints securely.

ELECTRICAL must be properly installed, insulated, and grounded. Turn off power and unplug before servicing or cleaning.

OPERATION only with caution. Keep fans, baffle filters, oil containers, and all grease-laden areas clean. Do not block filters. Clean fans and filters regularly, remove obstructions.

XtremeAIR

MOUNTING HEIGHT & VENTING METHODS



MOUNTING HEIGHT FOR THE MOST EFFICIENT & QUIET OPERATION, a distance of **26" to 30"** is recommended between stove top and the bottom of range hood. If the hood is mounted too low this could result in heat and/or fire hazard. If the hood is mounted too high the controls will be hard to reach and the hood will lose its performance and efficiency.

VENTING REQUIREMENTS: It is strongly recommended to vent the range hood vertically through the roof using a minimum 6-inch diameter duct or larger. To maintain optimal airflow, minimize the number of transitions and turns in the ductwork whenever possible. For long duct runs, increase the duct diameter to 7 or 8 inches, and if a reducer is necessary, use a long reducer rather than a pancake-style one, as short reducers can significantly restrict airflow. The duct size should remain consistent throughout the entire run, and the system should include no more than three 90-degree elbows. If more than one elbow is used, ensure there is at least 24 inches of straight duct between them.

NEVER exhaust air into crawl spaces, wall cavities, ceilings, attics, or garages—exhaust must always be ducted directly to the outdoors. Plastic ductwork should not be used; only metal ventilation materials approved for kitchen exhaust systems are acceptable. Additionally, avoid using 4-inch laundry-type wall caps, as they are not suitable for range hood exhaust and will reduce performance.

BACK WALL VENTING
In this configuration, the ductwork runs vertically from the top of the range hood into the upper cabinet, then transitions with an elbow to run horizontally through the rear exterior wall. This setup offers the shortest duct path for optimal airflow performance.

ROOF VENTING
This configuration vents air directly upward from the top of the range hood, through the ceiling and out the roof. It provides a straight, vertical duct path with minimal resistance, making it the most efficient and highly recommended venting method.

SIDE WALL VENTING
In this setup, the ducting runs vertically from the top of the range hood through the kitchen ceiling, then turns to exit through a nearby exterior side wall. While effective, this method involves a longer duct path and more turns, which may slightly reduce airflow efficiency compared to other options



PARTS & DIMENSION GUIDE

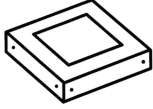
8. GENERAL INSTALATION DIAGRAM

MANUAL BOOK



1

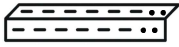
CEILING MOUNT BRACKET



1

Referenced as **P1**

MULTI-HOLE BRACKET



4

Referenced as **P2**

LOWER CHIMNEY BRACKET



4

Referenced as **P3**

1 and 3/4" screw



4

ALUMINUM PIPE

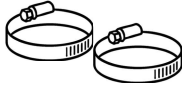


1

Referenced as **P5**

Not Provided on PX06-I48

DUCT CLAMP



2

Not Provided on PX06-I48

OIL CONTAINER



1

Attached

REMOTE CONTROL



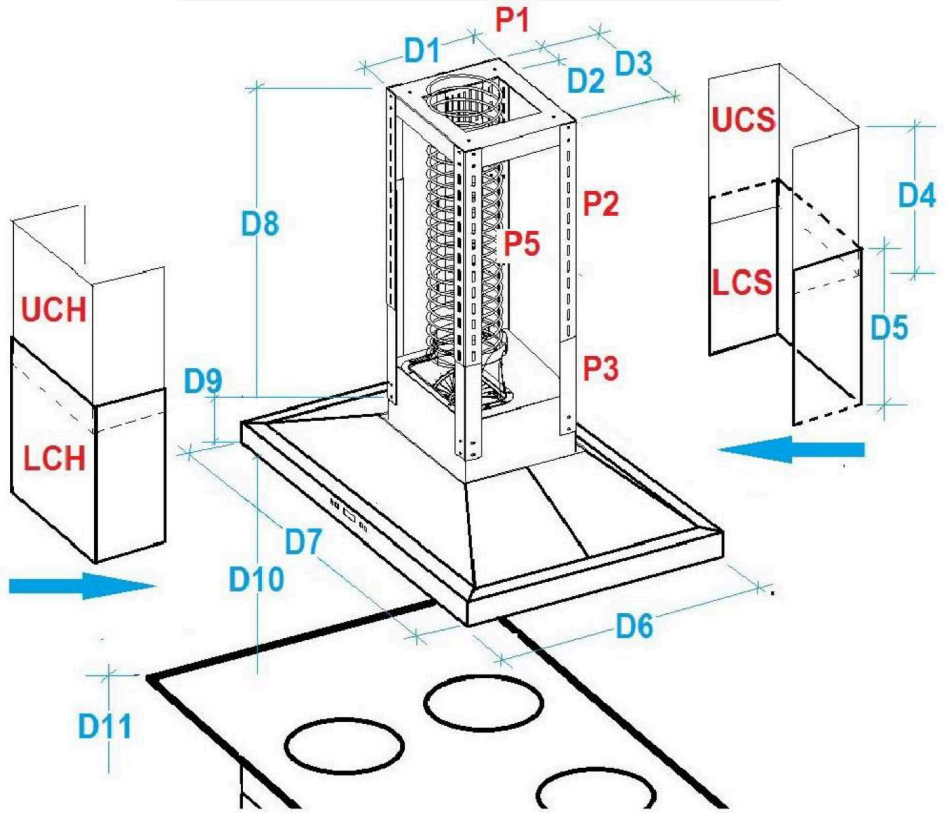
1

BAFFLE FILTER



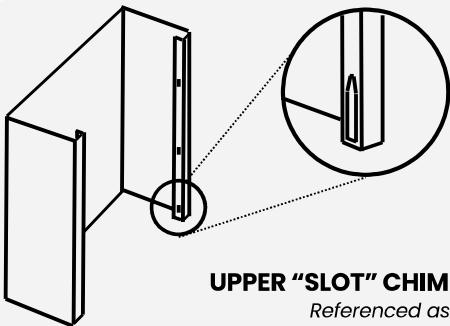
4

Quantity varies by size

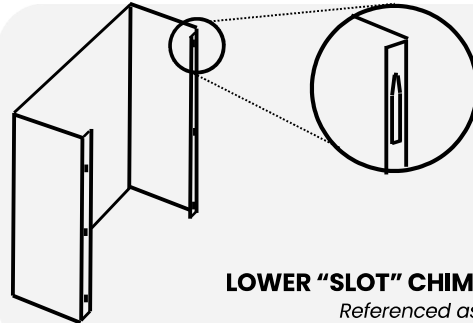


DIMENSION TABLE							
D1	D2	D3	D4	D5	D6	D7	D9
10.5 inch	3.8 inch	12 5/8 inch	23.0 inch	19.0 inch	23.6 inch	35.4 / 41.3 inch	8.25 inch
Ceiling mount bracket depth	Ceiling mount bracket perimeter height	Ceiling mount bracket width	Upper chimney length	Lower chimney length	Body depth (I36, I42 models)	Body width (I36, I42 models)	Body height

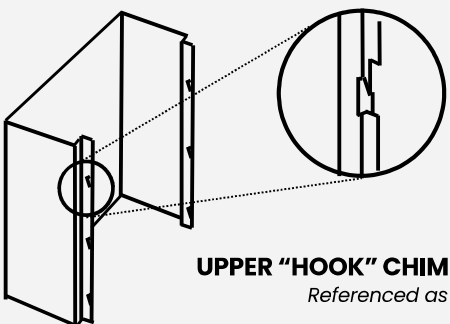
D8: Total bracket length. See formula below
 $D8 = \text{CEILING HEIGHT FROM FLOOR} - D11 - D10 - D9$
 D10: Clearance from bottom of hood to cook top (26" to 30" as per your design)
 D11: Cook top height from floor (36")



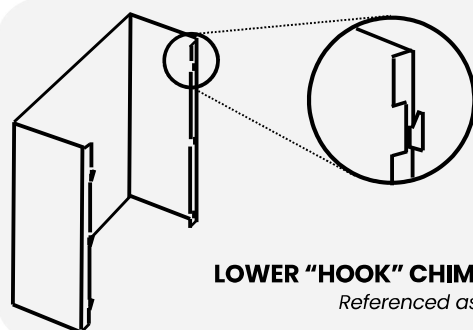
UPPER "SLOT" CHIMNEY
Referenced as **USC**



LOWER "SLOT" CHIMNEY
Referenced as **LSC**



UPPER "HOOK" CHIMNEY
Referenced as **UHC**



LOWER "HOOK" CHIMNEY
Referenced as **LHC**

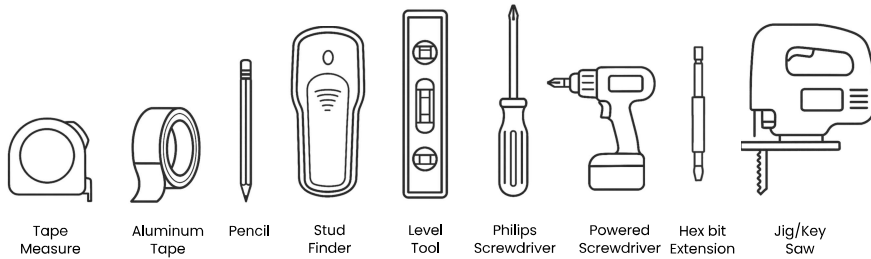
IMPORTANT:
 DUE TO THE WEIGHT AND SIZE OF THIS UNIT: CEILING BRACKET MUST BE MOUNTED TO A WEIGHT-BEARING CEILING (SUPPORT SYSTEM OR FRAMEWORK BEING USED IS STABLE AND SECURE ON THE CEILING) ABLE TO SUPPORT AT LEAST TWICE THE WEIGHT OF THE HOOD.

XtremeAIR

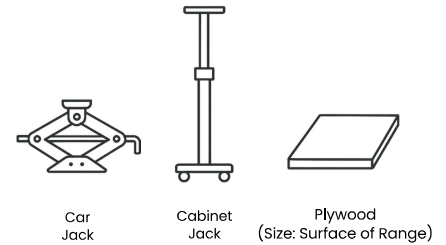
PREPARATION

IMPORTANT ELECTRICAL REQUIREMENTS: Observe all governing building codes and city ordinances. A 120-volt, 60 Hz. An AC, 15-amp outlet is needed (fused electrical circuit is required). It is the customer's responsibility to contact a qualified electrical installer and ensure that the electrical installation is adequate and in conformance with National Electrical Code, ANSI/ NFPA 70 – latest edition, or CSA Standards C22. 1-94, Canadian Electrical Code, Part 1 and C22. 2 No. 0-M91 – latest edition and all local codes and ordinances.

TOOLS AND PARTS YOU'LL NEED: Gather all necessary tools before starting to ensure a smooth and safe installation:



OPTIONAL: Not required, but recommended for easier installation:



INSTALLATION

STEP 0A: Installation Video

Please refer to our installation video on island mounted range installation for a more visual, convenient method of installation. Feel free to refer back to this manual as well. Contact our support team if you get stuck, we are happy to help!

Support@XtremeAIRusa.com



Refer to all safety guidelines, during installation. Refer to manual and local ordinances for details.

STEP 0B: CREATE WORK STATION

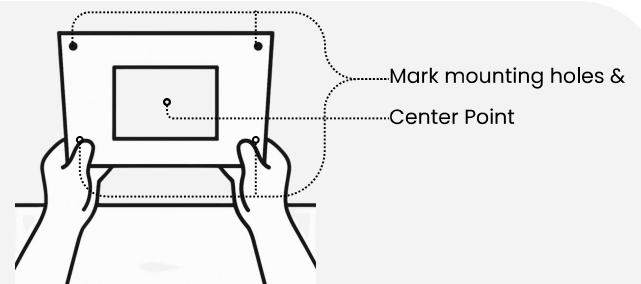
Place 2 pieces of wood about 2" x 4" x 20" on both sides of stove & a plywood plank on top of them to protect cook top or stove from damage or dirt. This plywood will also create a comfortable work station for easy installation.



Creating a work station is optional. Otherwise, cover range with a thick tarp to protect from damage and dirt

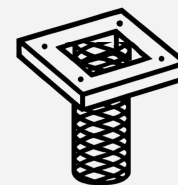
STEP 1: MARKING CEILING BRACKET PLACEMENT

- Find and mark the center point directly above your cook top.
- Place the ceiling bracket on the ceiling around the center point. Make sure it is square with your cook top).
- Trace the outline of the ceiling bracket onto the ceiling.
- Trace a circle where the ducting will go.
- Mark the 4 pre-holes where you will insert the screws.



STEP 2: MARKING CEILING BRACKET PLACEMENT

- Cut out a hole in the ceiling where the ducting will go.
- Prepare support framework for ceiling bracket.
- Place chimney bracket against ceiling & screw it into place.
- Drop the ducting and electrical work through the ceiling.

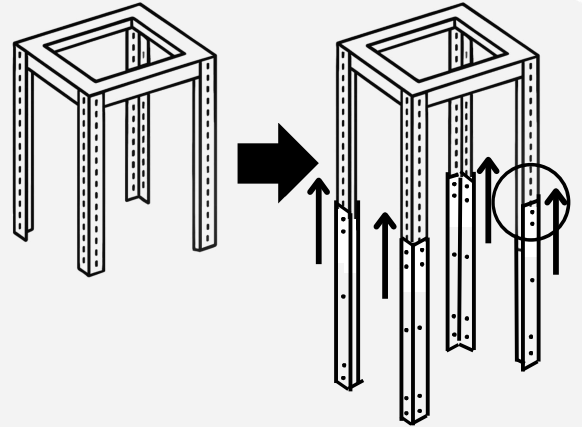


IF CEILING IS NOT LOAD BEARING, USE SUPPORT BRACKETS. REFERENCE VIDEO

INSTALLATION

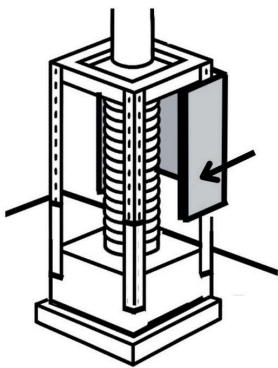
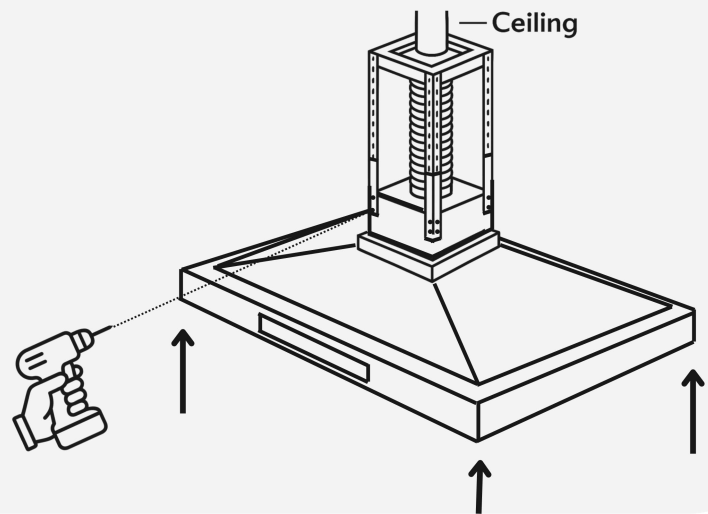
STEP 3: INSTALLING SUPPORT BRACKETS

- A.** Attach the multi-hole brackets (P2) to the outside 4 corners of the ceiling brackets (P1)
- B.** Attach lower chimney bracket (P3) vertically to the * inside of the 4 multi-hole brackets (P2) installed in the previous step.
- C.** Make sure to adjust to its "TOTAL BRACKET LENGTH". Refer to dimension table page 4.

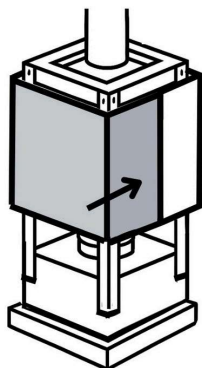


STEP 4: ATTACHING HOOD BODY

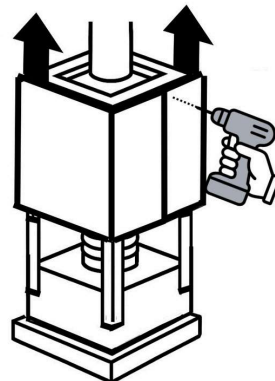
- A.** Have a third person raise up the island range hood into its position. Hood should be directly under the support brackets.
- B.** Attach the hood to the support brackets at all 4 corners with bolts.
- C.** Connect the ductwork to the range hood. Use aluminum tape to secure the pipe joint area.
- D.** Connect power plug.



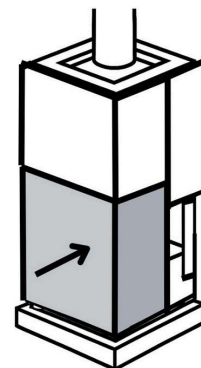
5A: UHC CHIMNEY
Slide upper "hook" chimney (**UHC**) in, leave about 1" from the ceiling. Use tape to hold it up from falling down if you don't have any helper to hold it.



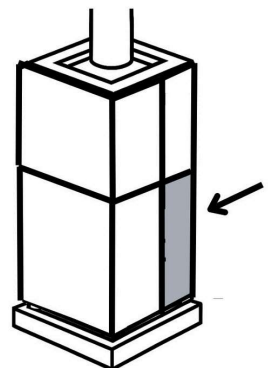
5B: USC CHIMNEY
Slide upper "slot" chimney (**USC**) into place connecting the 6 "C" locks - 3 on each side.



5C: UPPER CHIMNEY
Slide the entire chimney up and secure with the ceiling bracket using the 2 provided bolts - 1 on each side.



5D: LHC CHIMNEY
Set the lower "HOOK" (**LHC**) chimney piece into place so it drops into the top of the hood.



5E: LSC CHIMNEY
Carefully slide and drop lower "SLOT" (**LSC**) chimney into place. Make sure SLOT and HOOK are snapped.

BAFFLE FILTER INSTALLATION & TECH SPECS



STEP 6A: LATCH

While holding a baffle filter, pull baffle filter lock down.



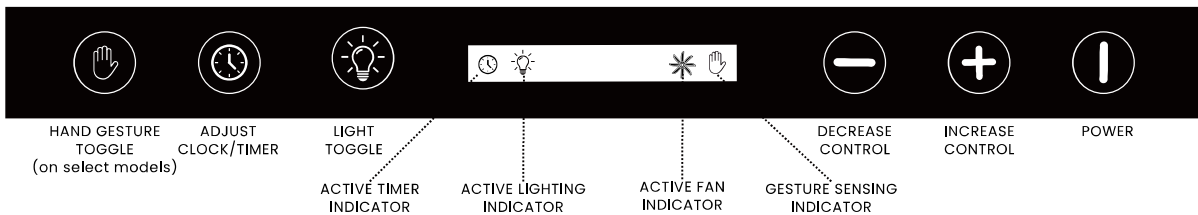
STEP 6B: PIN

TO REMOVE: While a baffle filter is open, use both hands to hold both ends. Then, use your index finger or thumb (either left or right) to push the baffle filter hinge pin toward the center of the baffle filter to release.

TO INSTALL: Reverse the process.

Body Design	Non-Magnetic 1.0 mm Stainless Steel, Satin Finish
Power Rating	120V/60Hz (USA & Canada standard)
General Input Power	158W (150W + 4x2W)
Motor Input Power	150 W each
Ampere	1.3 A
Levels Of Speed Control	4 Levels
Maximum Airflow	900CFM
Noise Level	Approximately 1.5 – 6.0 sones or 33 – 54 dB
Number Of Motors	Single Motor
Motor Type	Single Chamber Ultra Quiet
Fan Type	Squirrel Cage blower
Filtration Type	Heavy Duty Stainless Steel Baffle Filter
Illumination	4 LED lights, 2W Maximum/each
Venting Size	Top 6 inches Round

PANEL CONTROL GUIDE



Clock & Delay Timer

Clock Button & Delay Timer Button: Set the clock: Touch the clock symbol with the fan off. The time on the display will blink. Adjust the hours with the (+) and (-) buttons. Adjust the minutes with the clock symbol again. After 3 seconds, the time will save. The clock is in 12-hr format. **Delay Timer:** Touch the clock symbol with the fan running. The default delay timer is 1 minute. Increase or decrease the timer duration up to 15 minutes with the (+) and (-) buttons.



Minus (-) Button

Quick high speed on: When the unit is off, touch the (-) button once as a shortcut to turn on the fans with high speed setting.



Plus (+) Button

Quick low speed on: When the unit is off, touch the (+) button once as a shortcut to turn on the fans with low speed setting.



Light Toggle

Touch to turn lights on / off

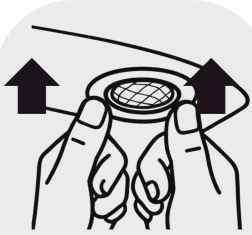


Power Button

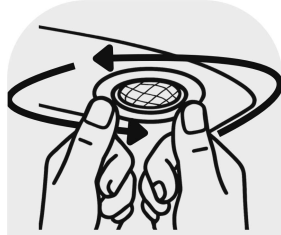
Touch to turn unit on / off. Toggling will turn on/off backlit clock display.

LIGHT BULB REPLACEMENT

GU-10 LIGHT BASE



Slightly press inward on the GU10 bulb using both thumbs



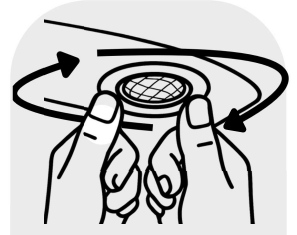
Keep your thumb grip and pressure constant as you turn the bulb counterclockwise.



Pull the bulb straight out of the socket

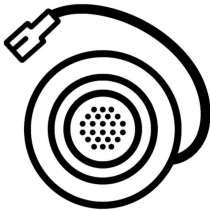


Align the new light bulb's legs with the 2 socket base slot holes



Press the new bulb inward into the socket, replacing the old one. Twist it clockwise until it's fully seated, then turn the lights back on.

NON- GU-10 LIGHT BASE



Replacement Process Varies by Model

Depending on your model, the process of changing the lights varies. The general process is to remove the baffle filters, remove the shroud that carries the lights via 2 or more screws on the steel plate, and removing. The lights are connected to the circuit board and transformer (if applicable) with an easy-release white clip. Bulbs are plug-and-play. Ensure the replacement bulbs match the specified wattage and voltage. If you encounter issues, please contact our support team.

Support@XtremeAIRusa.com

TROUBLESHOOTING

Range hood or lights do not operate after installation

Check if the range hood has been plugged in. Make sure that all power has been turned back ON. Swap out light assembly to working ones to determine whether it is caused by defective bulbs.

The range hood vibrates when the blower is on

The range hood might not have been secured properly to the cabinet or wall. Check if the blower wheel is damaged.

The blower or fan seems weak

Check that the duct size used is at least 6". Range hood WILL NOT function efficiently with an insufficient duct size & if it is loosely secured. Check if the duct is clogged or if the damper unit (half-circular flapper) is not installed correctly or opening properly. A tight mesh on a side wall cap unit might also cause restriction to the airflow.

The lights work but the blower is not spinning at all, is stuck or is rattling

The blower might be jammed or scraping the bottom due to shipping damage. Please contact us immediately.

The hood is not venting out properly

Make sure the distance between the stovetop and the bottom of the hood is within 26" and 30" in distance. Reduce the number of elbows and length of ductwork. Check if all joints are properly connected, sealed, and taped. Make sure the power is on high speed for heavy cooking.

The hood is noisier than normal

Check if the damper is not opened; if the duct is not secure, it will cause a vibration. Check if a smaller duct size than required is being used. The larger the duct, the quieter the performance.

CARE & MAINTENANCE

Operation

- Read and understand all instructions and warnings in this manual before operating the appliance. Save these instructions for future reference.
- Always leave safety grills and filters in place. Without these components, operating blowers could catch on to hair, fingers, and loose clothing.
- NEVER dispose of cigarette ashes, ignitable substances, or any foreign objects into blowers.
- NEVER leave cooking unattended. When frying, oil in the pan can easily overheat and catch fire. The risk of self-combustion is higher when the oil has been used several times.
- NEVER cook on "open" flames under the range hood. Check deep-fryers during use: Superheated oil may be flammable.

Cleaning

- The saturation of greasy residue in the blower and filters may cause increased inflammability. Keep the unit clean and free of grease and residue buildup at all times to prevent possible fires.
- FILTERS MUST BE CLEANED PERIODICALLY AND FREE FROM ACCUMULATION OF COOKING RESIDUE.
- Do NOT operate blowers when filters are removed. Never disassemble parts to clean without proper instructions.
- Disassembly is recommended to be performed by qualified personnel only. Read and understand all instructions and warnings in this manual before proceeding.

Maintenance

- SAFETY WARNING: Never put your hand into the area housing the fan while the fan is operating! For optimal operation, clean the range hood and all baffles/spacers, filters,grease tunnel, and oil containers regularly. Regular care will help preserve the appearance of the range hood.
- Cleaning Exterior surfaces:
- Clean periodically with stainless steel cleaner or hot soapy water and a clean cotton cloth. Do NOT use corrosive or abrasive detergents (e.g. Comet Power Scrub®, EZ-Off® oven cleaner), steel wool/scouring pads, which will scratch and damage the stainless steel surface. For heavier soil, use liquid degreasers such as "Formula 409®" or "Fantastik®" brand cleaner.
- If the hood looks splotchy (stainless steel hood), use a stainless steel cleaner to clean the surface of the hood. Avoid getting cleaning solution on or into the control panel. Follow the directions of the stainless steel cleaner. CAUTION: Do NOT leave it on for too long as this may cause damage to the hood finish. Use a soft towel to wipe off the cleaning solution, gently rub off any stubborn spots. Use a dry soft towel to dry the hood.
- After cleaning, you may use non-abrasive stainless steel polish such as 3M ® or ZEP®, to polish and buff out the stainless luster and grain. Always scrub lightly, with a clean cotton cloth, and with the grain.
- Do NOT allow deposits to accumulate or remain on the hood.
- Do NOT use ordinary steel wool or steel brushes. Small bits of steel may adhere to the surface and cause rusting.
- Do NOT allow salt solutions, disinfectants, bleaches, or cleaning compounds to remain in contact with stainless steel for extended periods. Many of these compounds contain chemicals which may be harmful. Rinse with water after exposure and wipe dry with a clean cloth. Cleaning grease filters /stainless steel filters less grill: IMPORTANT:
- Drain oil from oil containers before oil and residue overflow!
- The metal filters fitted by the factory are intended to filter out residue and grease from cooking. They need not be replaced on a regular basis but are required to be kept clean.
- Filters should be cleaned after every 30 hours of use. Remove and clean by hand or in the dishwasher. Use proper degreasing detergent for stainless steel and leave to soak if heavily soiled. Dry filters and re-install before using the hood.

XtremeAIR USA HOOD TEN (10) YEARS MOTOR LIMITED WARRANTY

XtremeAIR USA Range Hood (hereunder called "The Company") warrants its product against defects in material or workmanship for the time periods as set forth below. ****Note: for products purchased after January 2021****

PARTS: For a period of one (1) year from the original date of purchase of product ("Parts Warranty"), The Company will supply new or equivalent replacement parts in exchange for parts determined to be defective. The motor warranty is extended for an additional nine (9) years to accumulate ten (10) years total (motor only).

Labor: For a period of one (1) year from the original date of purchase of the product ("Labor Warranty"), if the product is determined to be defective, The Company will repair or replace the product, at its option, at no charge. The Company will only cover labor performed at its facility. This warranty does not cover on-site labor costs. After the Labor Warranty period, labor charges are applicable.

Warranty Performance: In the event of any malfunction or defect covered under the terms of this warranty, immediately contact the company. Written notice of any malfunction or defect must be given within 7 days of the time of discovery of the malfunction and must be accompanied by the original consumer purchase receipt which shows the date of purchase.

To obtain warranty service: the products must be delivered, freight prepaid, in either its original packaging or packaging affording an equal degree of protection to the company authorized service facility as specified below. The repaired unit will be returned at The Company's expense.

1 (714) 554-9000

For specific instructions on how to obtain warranty service for your product, contact XtremeAir USA by emailing Support@XtremeAIRusa.com

Repair/ Replacement Warranty: This Limited Warranty shall apply to any repair, replacement part or replacement product for the remainder of the original Limited Warranty period. Any part or product replaced under this Limited Warranty will become the property of The Company.

This Limited Warranty only covers product issues caused by defects in material or workmanship during ordinary consumer use and is non-transferable. It does not cover product issues caused by any other reason, including but not limited to: product issues due to commercial use, acts of God, misuse, defects resulting from damages sustained during shipping, unauthorized repair, modification of or to any part of the XtremeAIR product.

This Limited Warranty does not cover XtremeAIR products sold AS IS or WITH ALL FAULTS, light bulbs, remote control, normal maintenance and service, costs of removal or installation. This Limited Warranty is invalid if the factory-applied serial number has been altered or removed from the product.

DISCLAIMERS

XtremeAIR USA shall not be responsible for loss of use or other incidental consequential costs, expenses or damages which may occur. Under no circumstances shall XtremeAIR USA or any of its representatives be held liable for injury to any person or damage to any property, however arising. This warranty gives you specific legal rights, and you may have other rights which vary from state to state.

All Rights Reserved

XtremeAIR

LIMITED WARRANTY | 10