

PARTS & DIMENSION GUIDE

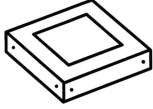
8. GENERAL INSTALATION DIAGRAM

MANUAL BOOK



1

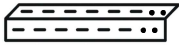
CEILING MOUNT BRACKET



1

Referenced as **P1**

MULTI-HOLE BRACKET



4

Referenced as **P2**

LOWER CHIMNEY BRACKET



4

Referenced as **P3**

1 and 3/4" screw



4

ALUMINUM PIPE

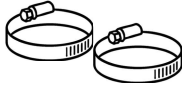


1

Referenced as **P5**

Not Provided on PX06-I48

DUCT CLAMP



2

Not Provided on PX06-I48

OIL CONTAINER



1

Attached

REMOTE CONTROL



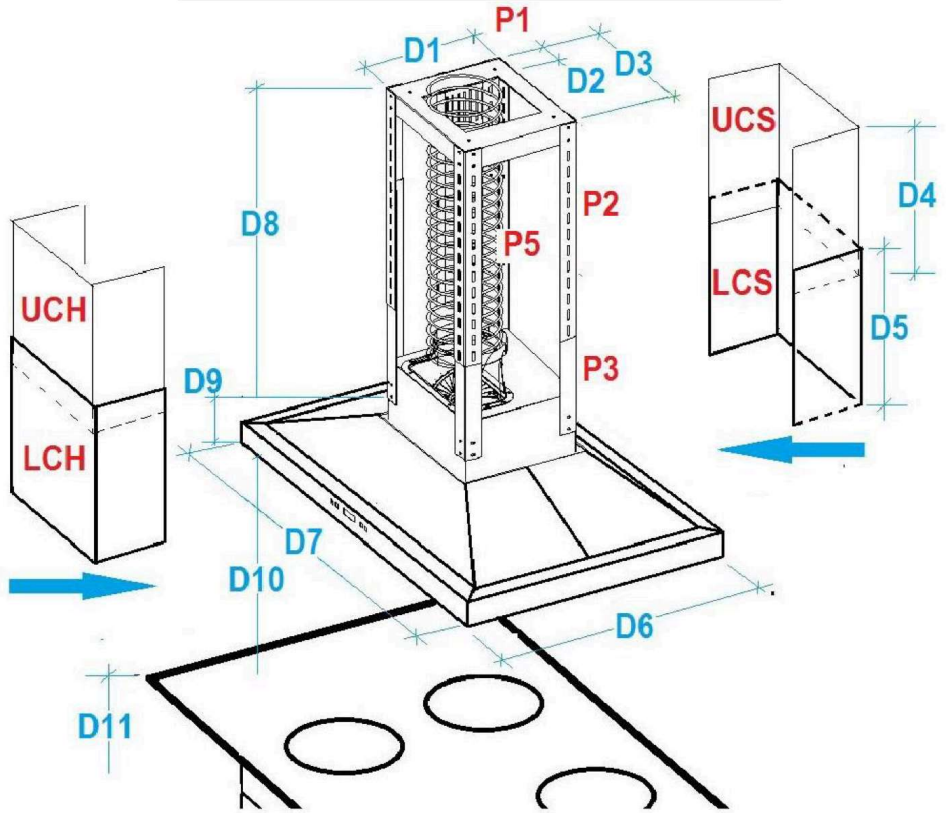
1

BAFFLE FILTER



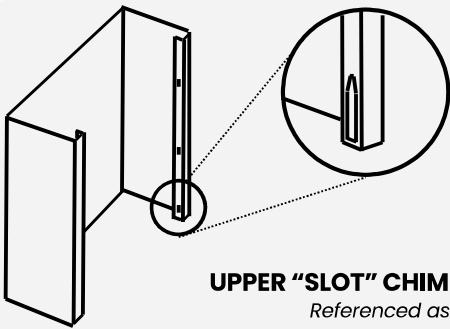
4

Quantity varies by size

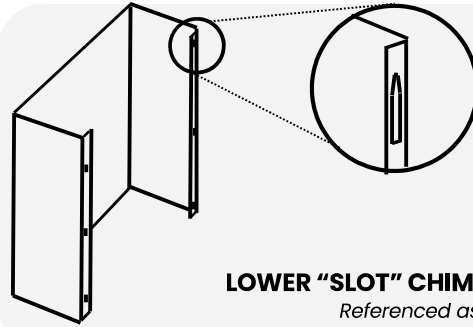


DIMENSION TABLE							
D1	D2	D3	D4	D5	D6	D7	D9
10.5 inch	3.8 inch	12 5/8 inch	23.0 inch	19.0 inch	23.6 inch	35.4 / 41.3 inch	8.25 inch
Ceiling mount bracket depth	Ceiling mount bracket perimeter height	Ceiling mount bracket width	Upper chimney length	Lower chimney length	Body depth (I36, I42 models)	Body width (I36, I42 models)	Body height

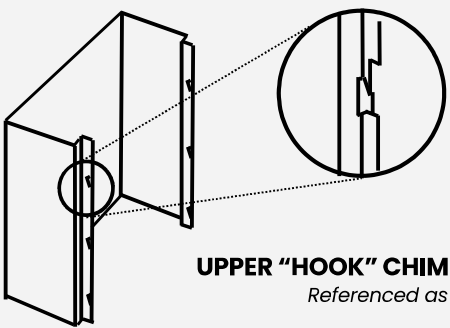
D8: Total bracket length. See formula below
 $D8 = \text{CEILING HEIGHT FROM FLOOR} - D11 - D10 - D9$
 D10: Clearance from bottom of hood to cook top (26" to 30" as per your design)
 D11: Cook top height from floor (36")



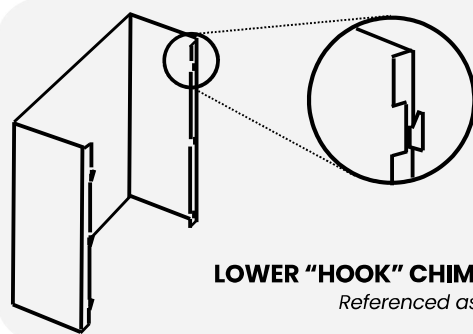
UPPER "SLOT" CHIMNEY
Referenced as **USC**



LOWER "SLOT" CHIMNEY
Referenced as **LSC**



UPPER "HOOK" CHIMNEY
Referenced as **UHC**



LOWER "HOOK" CHIMNEY
Referenced as **LHC**

IMPORTANT:
 DUE TO THE WEIGHT AND SIZE OF THIS UNIT: CEILING BRACKET MUST BE MOUNTED TO A WEIGHT-BEARING CEILING (SUPPORT SYSTEM OR FRAMEWORK BEING USED IS STABLE AND SECURE ON THE CEILING) ABLE TO SUPPORT AT LEAST TWICE THE WEIGHT OF THE HOOD.

XtremeAIR